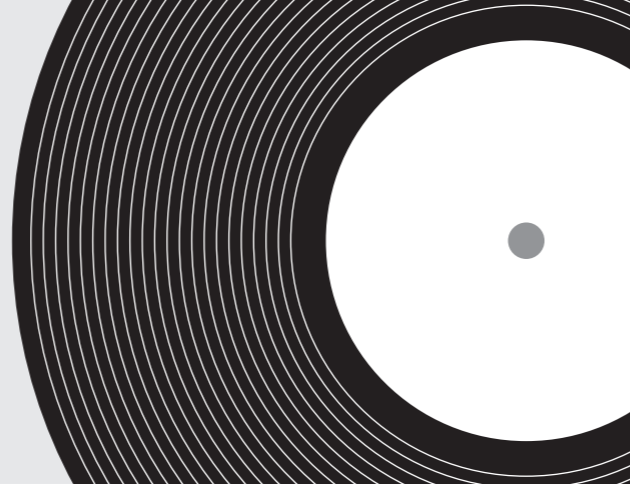


TURNTABLE QUICK START GUIDE

AT-LP60X / AT-LP60XUSB

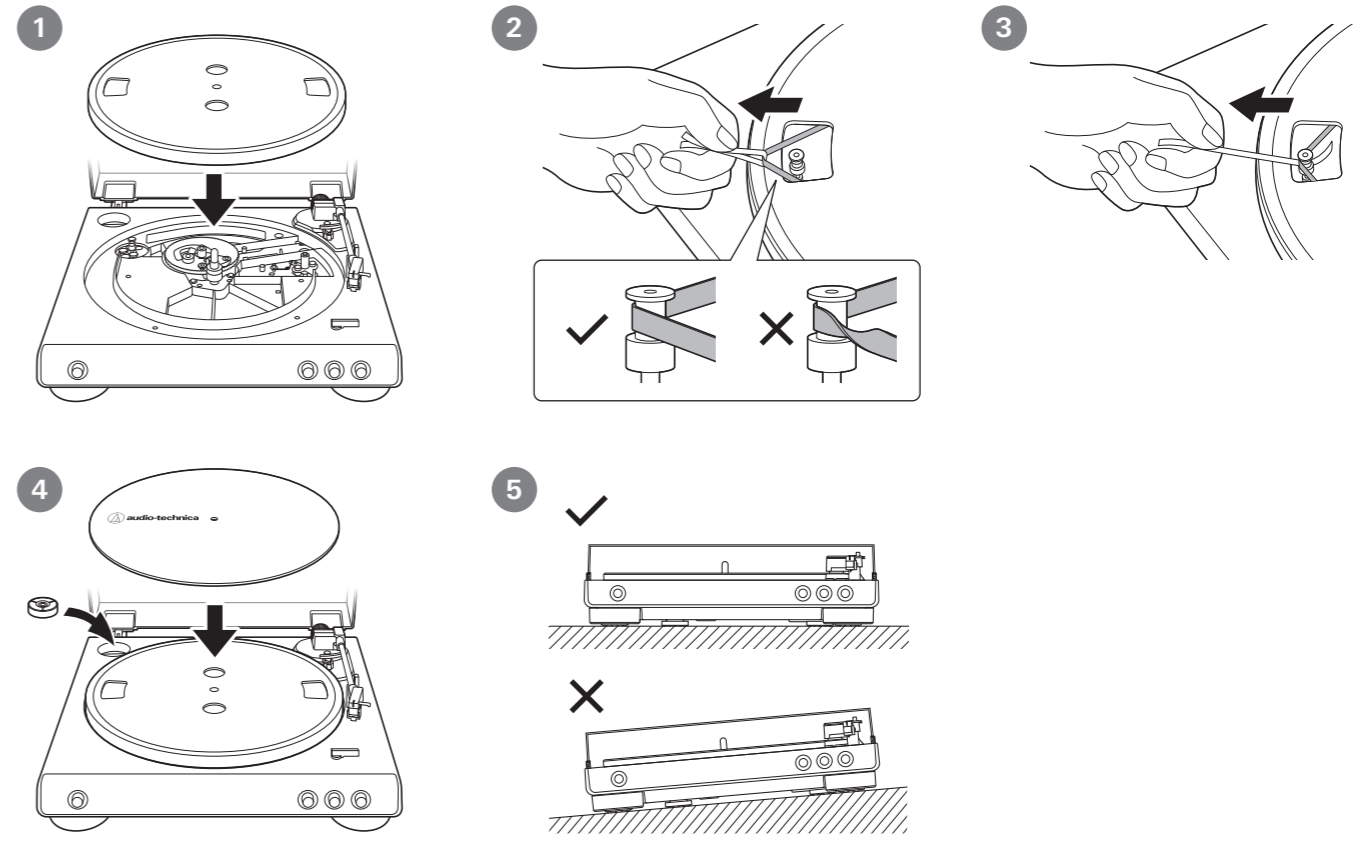


 **INFORMATION**

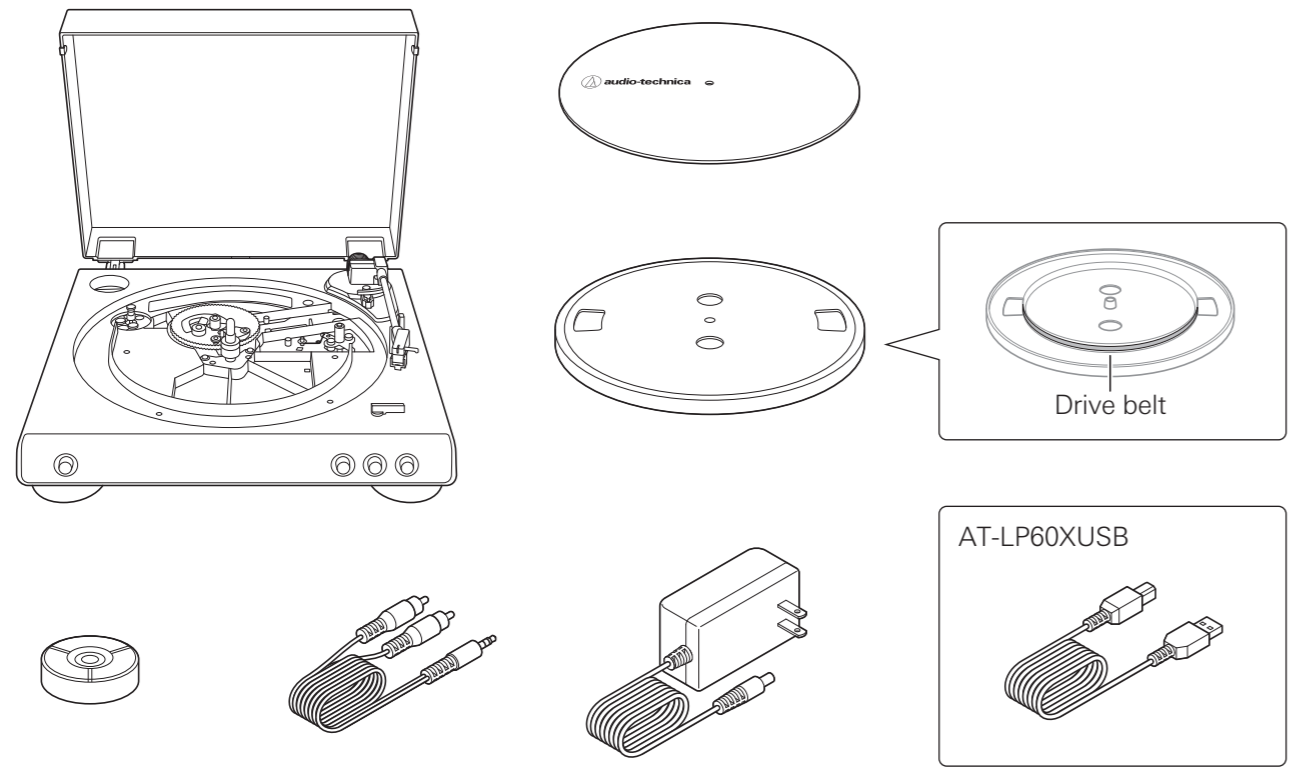
取扱説明書
User Manual
Manuel de l'utilisateur
Bedienungsanleitung
Manuale dell'utente
Manual de usuario
Manual do Usuário
Руководство пользователя
用户手册
使用説明書
사용설명서



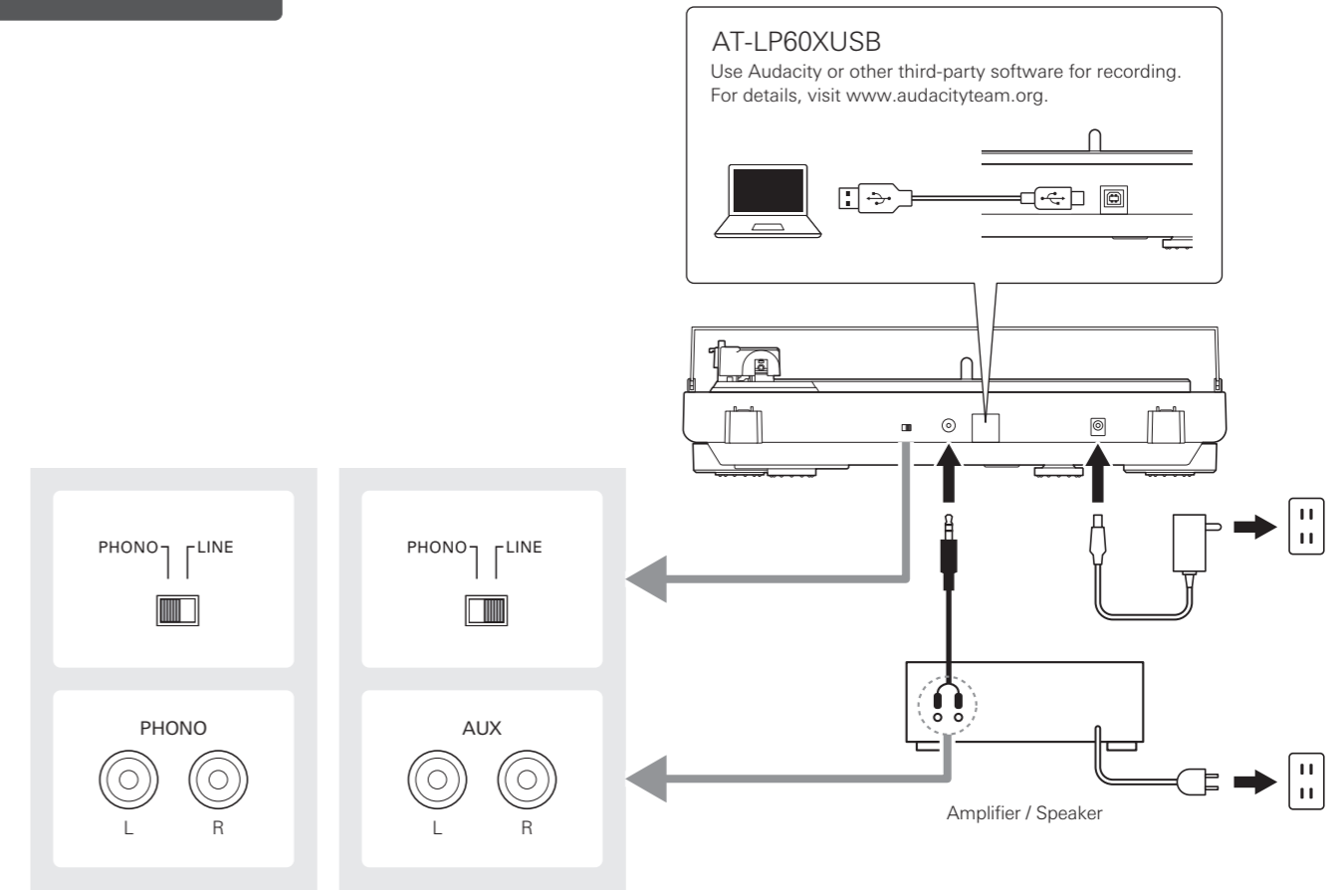
 **PREPARATION**



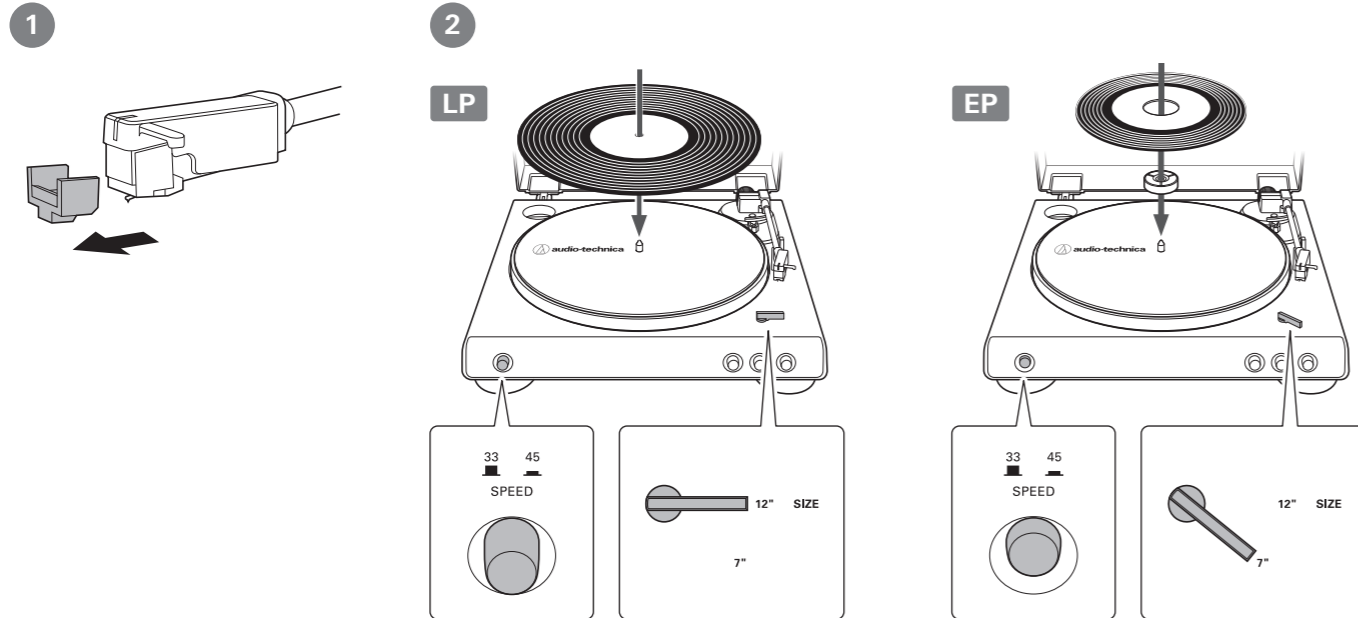
 **CONTENTS**



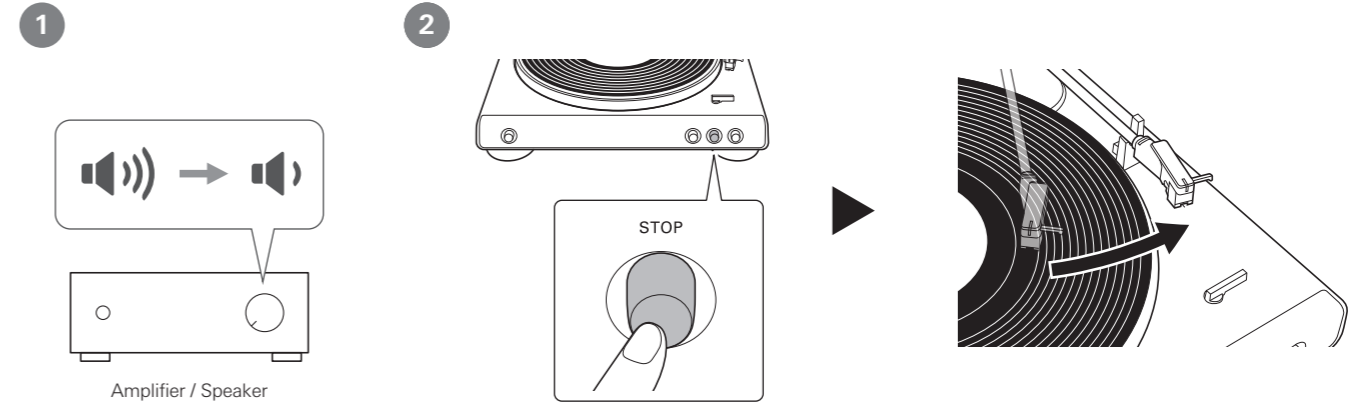
 **CONNECTION**



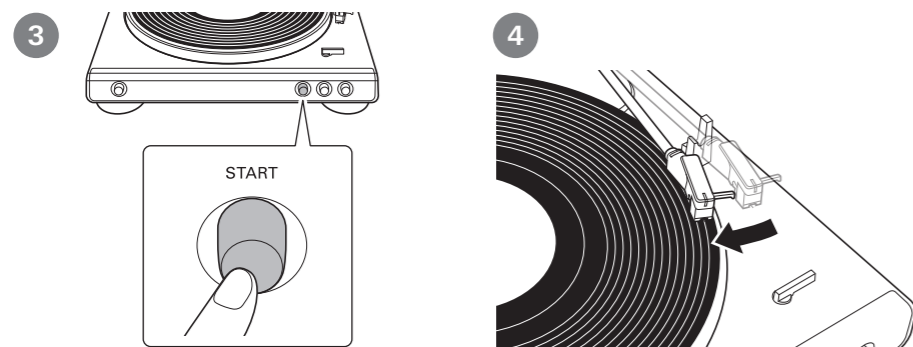
▶ PLAY



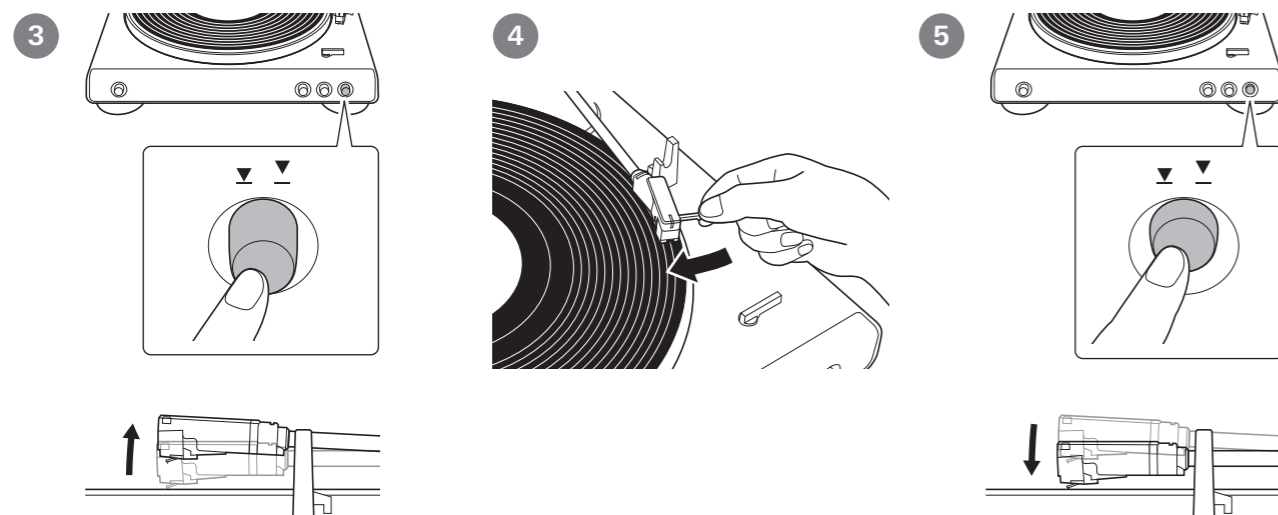
■ STOP



AUTO



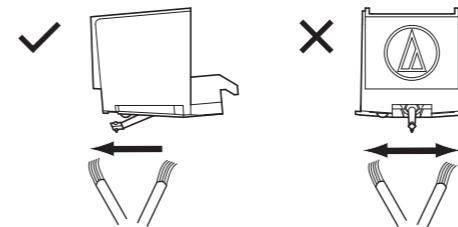
MANUAL



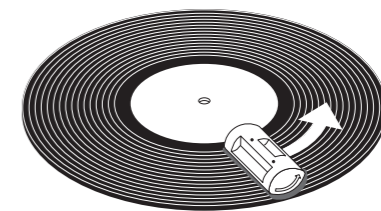
🧽 CLEANING

For details about turntable and cartridge care accessories, visit www.audio-technica.com.

Stylus



Record



株式会社オーディオテクニカ

〒194-8666 東京都町田市西成瀬2-46-1

Audio-Technica Corporation

2-46-1 Nishi-naruse, Machida, Tokyo 194-8666, Japan

www.audio-technica.co.jp

©2018 Audio-Technica Corporation

162501200-01-01 ver.1 2018.10.01